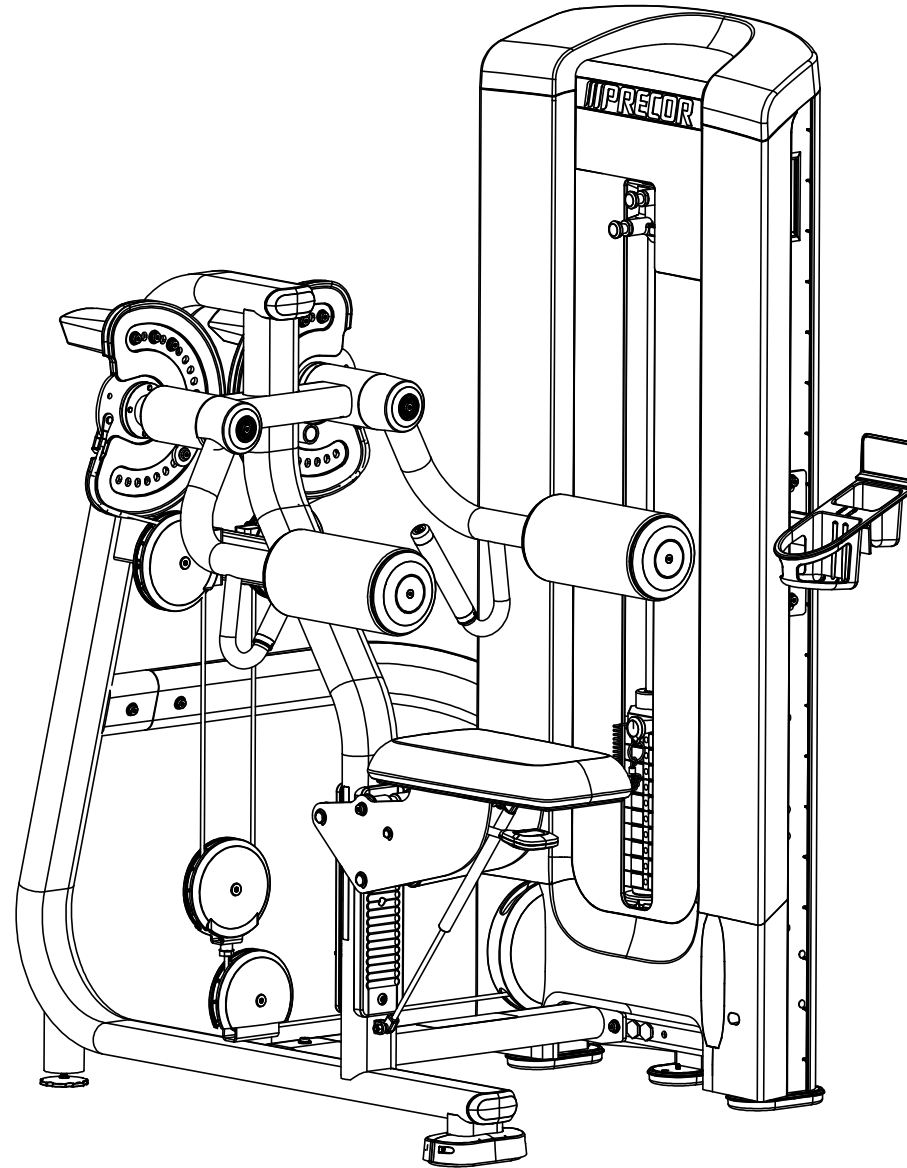


NOTES:

1. THIS LABEL IS FURNISHED AS PART OF A LABEL KIT. ORDER REPLACEMENT LABEL KITS AS FOLLOWS:

ENGLISH - BUBBLE #201
CHINESE - BUBBLE #202
FRENCH - BUBBLE #203
GERMAN - BUBBLE #204
JAPANESE - BUBBLE #205
SPANISH - BUBBLE #206
DUTCH - BUBBLE #207
PORTUGUESE - BUBBLE #208
RUSSIAN - BUBBLE #209
HEBREW - BUBBLE # 210
ITALIAN - BUBBLE #211



C504EC - LATERAL RAISE

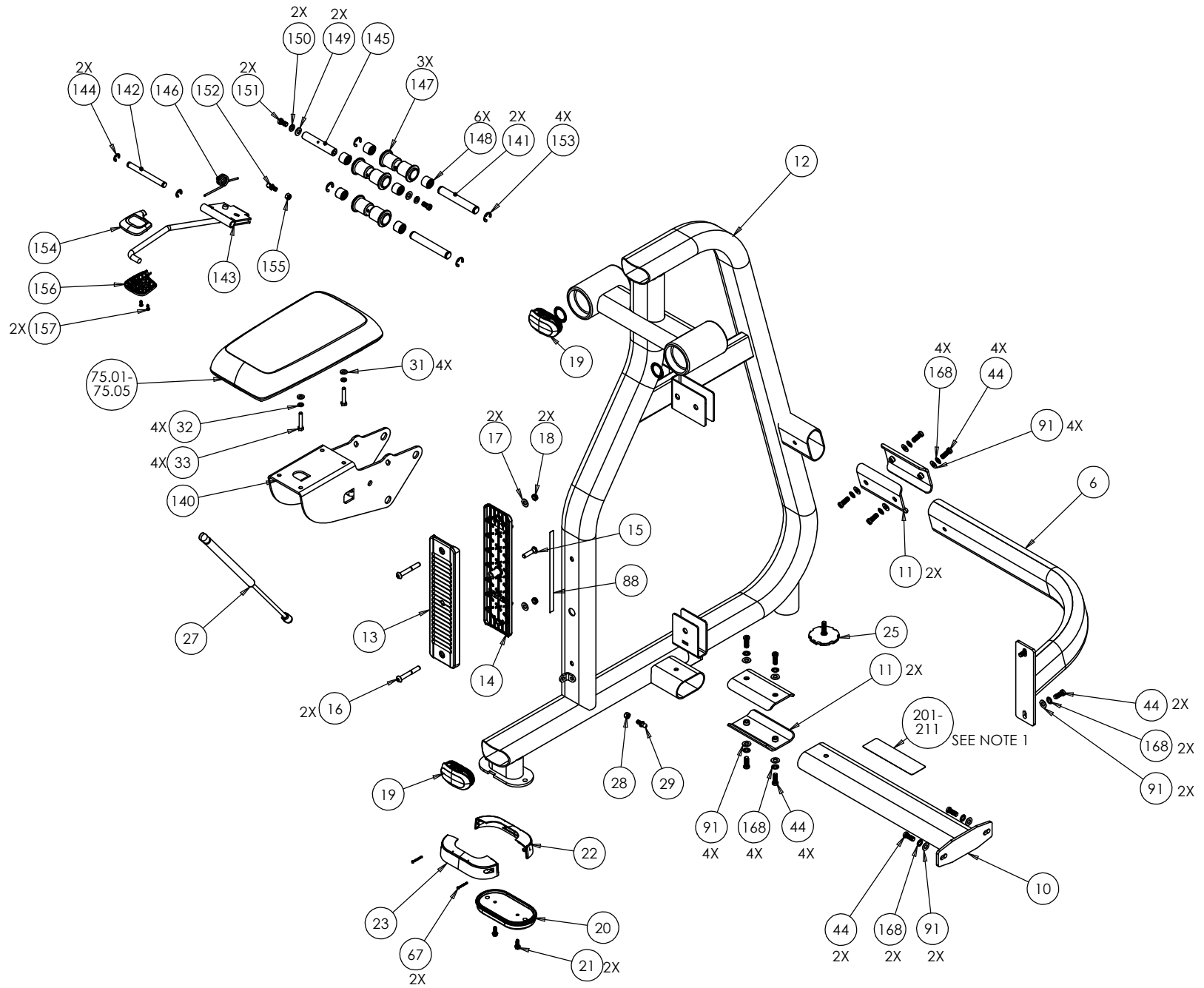
P/N : CW34991-101

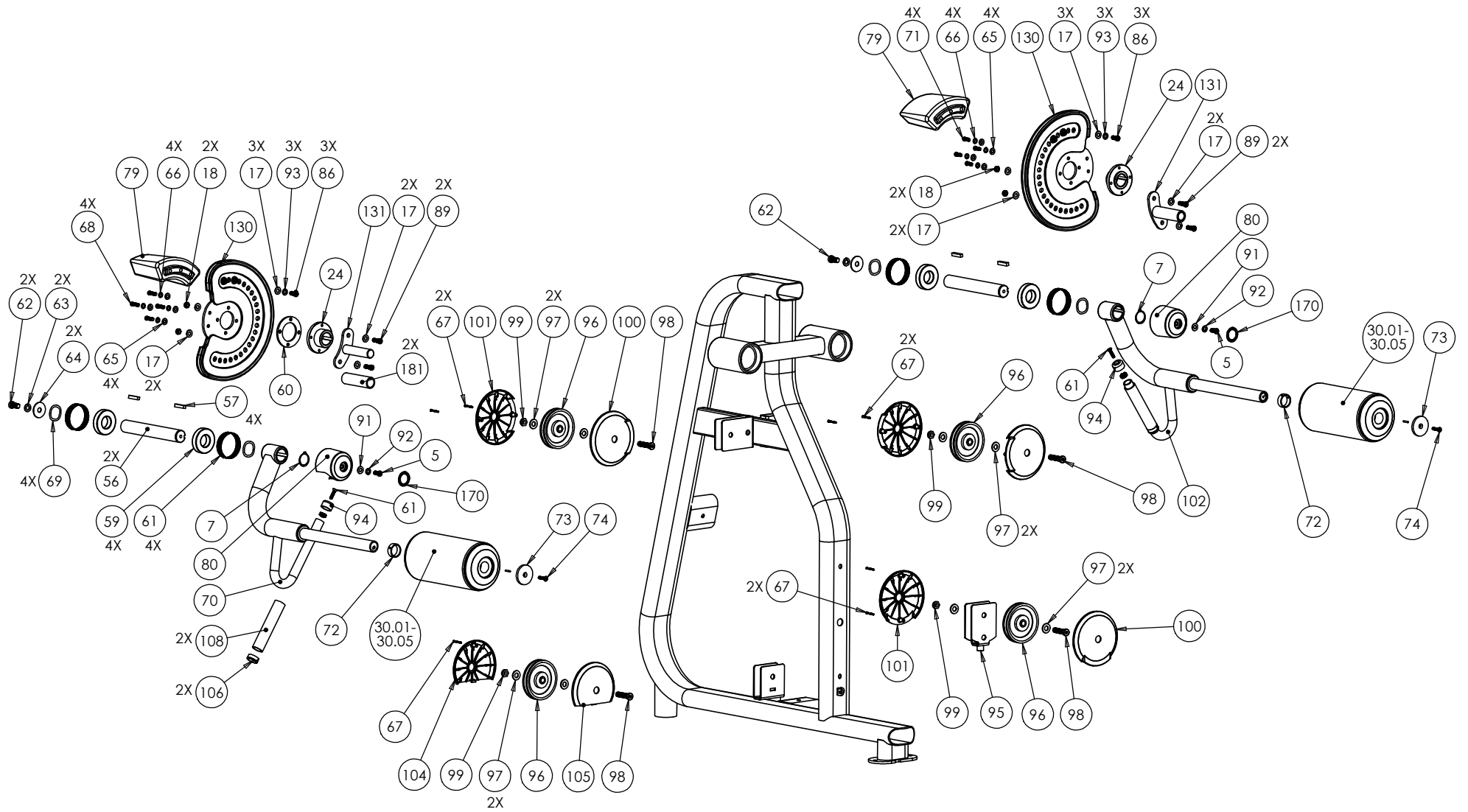
SUBREV : J

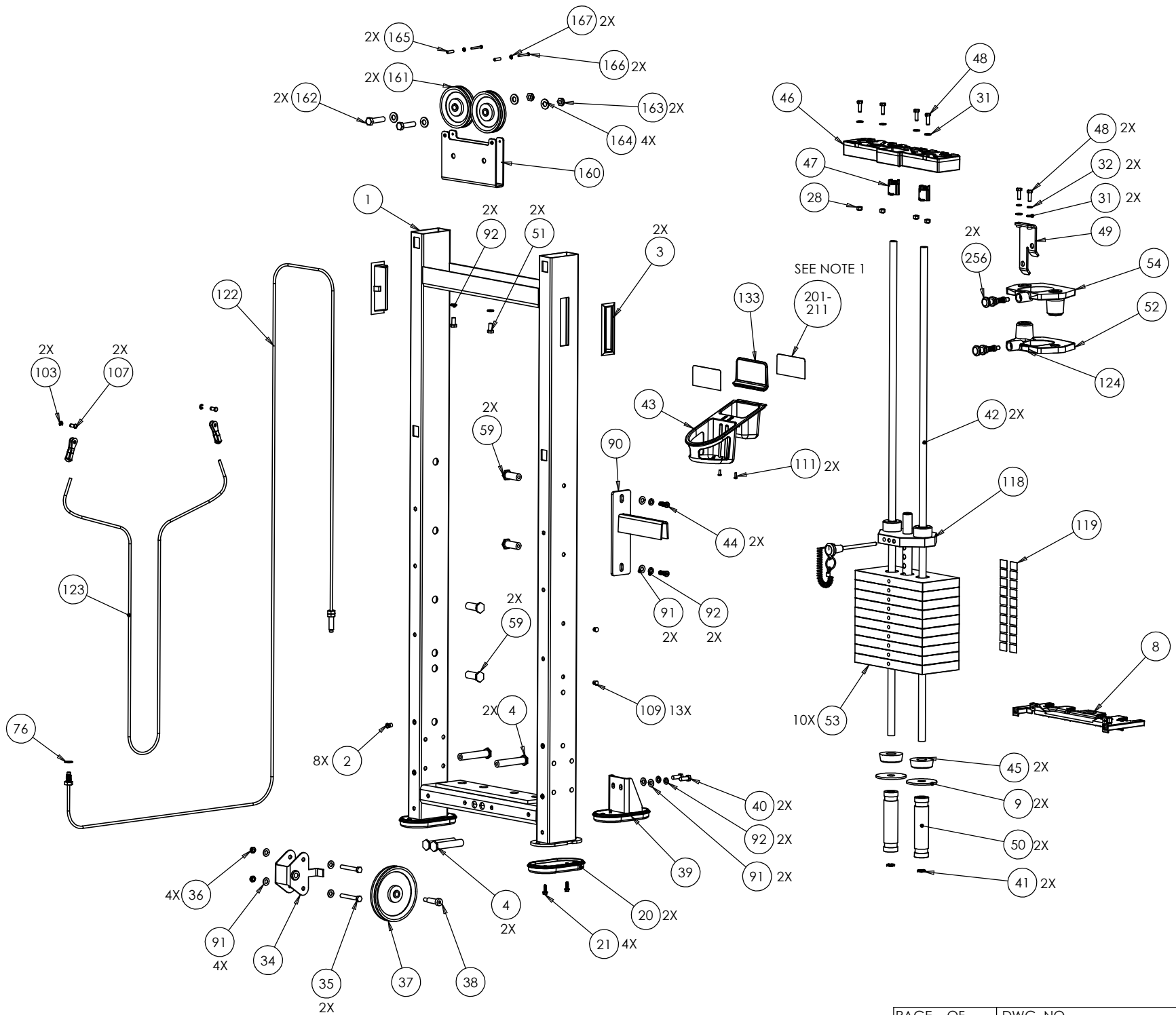
DRAWN BY : MAH

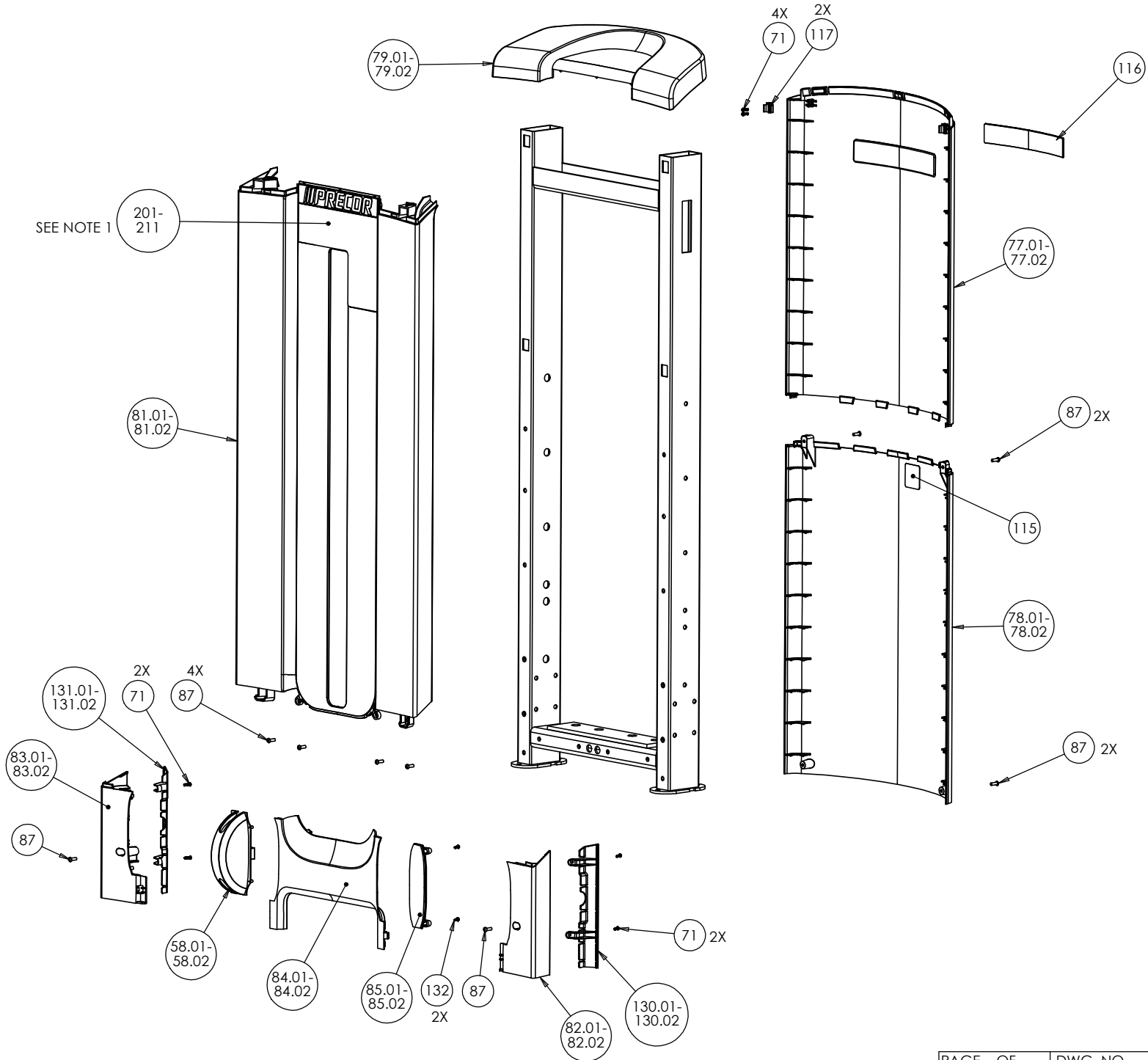
DATE : 04.08.11

SHEET 1 OF 5









C504EC, Lateral Raise, C-Line

Part Number	Description	Bubble Number
CW33767-103	WLDMT, WEIGHT TOWER, SHORT,PTD	1
CW12112-101	RIVNUT,INSERT,HEX,1/4-20	2
CW34067-101	PLASTIC RECESSED HANDLE	3
CW33991-101	WEIGHT TOWER BOLT ON, LONG	4
CWCPMN038-075	SCREW, SCKT LW HD,MCH CLR ZI,3/8-16	5
CWAACN138-003	RETAINING RING, EXTERNAL 1.375 DIA	7
CW34367-101	LOWER COVER SUPPORT ASSY	8
CW33894-101	WASHER, BUMPER BACKING	9
CWAAHN134-006	RETAINING RING, EXTERNAL, 34MM(1.33	9
CW33880-101	FORMED,PLATE, .19 THICK,DOUBLE-D CO	11
CW50250-101	ASSEMBLY, MAIN FRAME, LATERAL RAISE	12
CW33821-101	INDEXING PLATE, SEAT ADJUST	13
CW33822-101	STOP PLATE, SEAT ADJUST	14
CWWBTN038-007	WASHER, FLAT, TYPE A, SAE, 3/8 ID	17
CWKATN038-027	LOCKNUT,HALF, 3/8-16, SHARPERIZED B	18
CW33996-101	DOUBLE D TUBE END CAP	19
CWPLCN025-075	SLOTTED, HEX, WASHER, HEAD, 1/4-20	21
CW34061-101	FOOT COVER FRONT, 90 DEGREES	22
CW34061-102	FOOT COVER BACK, 90 DEGREES	23
CW33754-101	BAR, 3.50 DIA. X 1.50	24
CW39916-103	FOOT, ADJUSTING, NO LOGO	25
CW33993-101	GAS SPRING, 200MM STROKE	27
CWKACN031-016	LOCKNUT,HALF, 5/16-18,ZN	28
CW33992-101	BALL, GAS SPRING	29
CWPD4024-101	SHORT ROLLER PAD, RENOVO, BLACK	30.01
CWPD4024-114	SHORT ROLLER PAD, RENOVO, CUSTOM	30.02
CWPD4024-118	SHORT ROLLER PAD, IMP BLUE	30.03
CWPD4024-122	SHORT ROLLER PAD, PAPRIKA	30.04
CWPD4024-131	SHORT ROLLER PAD, MAHOGANY	30.05
CWWBCN031-007	WASHER, FLAT, TYPE A, SAE, 5/16 ID	31
CWWALCN031-008	WASHER, SPLIT, 5/16 ID, ZN	32
CWHCCN031-175	SCREW, HEX, GR 5, 5/16-18 X 1 3/4 C	33
CW33773-101	WLDMT, WS BASE PULLEY	34
CWHCCN038-275	SCREW, HEX, CLR. ZINC, 3/8-16 X 2 3	35
CWEANN016-013	SCREW, SET, SCKT, CUP POINT, 8-32 X	36
CWKACN038-027	LOCKNUT,HALF, 3/8-16, ZN	36
CWAC1010-101	PULLEY, 6 DIA X 1/2 ID	37
CWRANN038-150	BOLT, SHOULDER, 3/8-16 X 1/2 X 1 1/	38
CW34380-101	ASSY, STABILITY FOOT	39
CWHCCN038-100	SCREW, HEX, CLR ZINC, 3/8-16 X 1.00	40
CW12651-101	WAVE SPRING, .85 OD X .66 ID X .17	41
CW33994-101	BAR, .750 DIA, SHORT GUIDE ROD	42
CW34787-101	WATER BOTTLE HOLDER, WEIGHT STACK	43
CWCPMN038-100	SCREW, SCKT LW HD, MCH CLR ZI,3/8-1	44
CW12402-101	BUMPER, ID 1.050, BLK RUBBER	45
CW34014-101	UPPER GUIDE ROD SUPPORT	46
CW34015-101	UPPER GUIDE ROD LOCK	47
CWHCCN031-100	SCREW, HEX, GR 5, 5/16-18 X 1.0, ZN	48

CW33967-102	PLATE, .19 THICK, DRP DW WT MNT	49
CW33633-101	BAR, 1.50 DIA, WEIGHT STACK RISER	50
CWHCCN038-075	SCREW, HEX, CLR. CLR. ZINC, 3/8-16	51
CW33966-102	ASSEMBLY, CAST DROP DOWN,BOTTOM	52
CW34292-101	ASSEMBLY, WEIGHT PLATE, RECTANGULAR	53
CW33966-103	ASSEMBLY, CAST DROP DOWN, TOP	54
CW33870-104	ASSEMBLY, 5" WEIGHT STACK PIN & LEA	55
CW33753-101	BAR, 1 7/16 DIA.,PIVOT SHAFT	56
CW10220-101	KEY, SQUARE, 5/16 X 1-1/2	57
CW34012-103	PULLEY COVER, 6 INCH, SILVER GRAY	58.01
CW34012-104	PULLEY COVER, 6 INCH, AMAZON STONE	58.02
CW33991-102	WEIGHT TOWER BOLT ON, SHORT	59
CW34982-101	SPACER, PULLEY, LATERAL RAISE	60
CWCPMN050-100	SCREW, SCKT LW HD, MCH CLR ZI,1/2-1	62
CWWALCN050-013	WASHER, SPLIT, 1/2 ID, CLR ZINC	63
CWWABCN050-010	WASHER, FENDER, 1/2 ID X 1 3/4 OD,	64
CWWBTN031-007	WASHER, FLAT, TYPE A, SAE, 5/16 ID	65
CWWALYN031-008	WASHER, SPLIT, 5/16 ID, BL	66
CWPMTN016-125	SCREW, SELF TAPPING,#8 X 1 1/4 PHIL	67
CWCPTN031-100	SCREW, SOCKET LOW HEAD, BLACK SHARP	68
CWWAHNN140-002	WASHER,WAVE, 1.40 ID, 1.82 OD, .02	69
CW50248-101	ASSEMBLY, PIVOT FRAME, LEFT	70
CWPMTN016-063	SCREW, SELF TAPPING,#8 X 5/8 PHIL,	71
CW34039-101	ASSY,HANDLE RETAINING RING,1.29 ID	72
CW35033-102	ROLLER END CAP, UHMWPE	73
CWMACTN025-100	SCREW, FLT HEAD, SOCKET, BLK SHARPE	74
CWPD4029-101	MEDIUM SEAT PAD, RENOVO, BLACK	75.01
CWPD4029-114	MEDIUM SEAT PAD, RENOVO, CUSTOM	75.02
CWPD4029-118	MEDIUM SEAT PAD, RENOVO, IMP BLUE	75.03
CWPD4029-122	MEDIUM SEAT PAD, RENOVO, PAPRIKA	75.04
CWPD4029-131	MEDIUM SEAT PAD, RENOVO, MAHOGANY	75.05
CWWATCN050-037	WASHER, LK, INT. TOOTH, .50"	76
CW34072-101	ASSY, BACK TOP SHROUD, SHORT, PACIF	77.01
CW34072-102	ASSY, BACK TOP SHROUD, SHORT, DARK	77.02
CW34375-101	ASSY,COVER, BACK, LOWER, SHORT, PAC	78.01
CW34375-102	ASSY,COVER, BACK, LOWER, SHORT, DAR	78.02
CW33766-101	COUNTER WEIGHT, BI-TRI	79
CW33947-103	COVER, TOP	79.01
CW33947-104	COVER, TOP, AMAZON STONE	79.02
CW33998-101	MAIN PIVOT COVER, BICEP/TRICEP	80
CW34005-103	ASSY, WINDOW BASE SHROUD, SHORT, SI	81.01
CW34005-104	ASSY, WINDOW BASE SHROUD, SHORT, AM	81.02
CW34343-101	CORNER COVER ASSY, LEFT, SILVER GRA	82.01
CW34343-103	CORNER COVER ASSY, LEFT, AMAZON STO	82.02
CW34343-102	CORNER COVER ASSY, RIGHT, SILVER GR	83.01
CW34343-104	CORNER COVER ASSY, RIGHT, AMAZON ST	83.02
CW33945-101	COVER, CENTER	84.01
CW33945-102	COVER, CENTER, AMAZON STONE	84.02
CW34013-101	PLUG, PULLEY, SILVER GRAY	85.01
CW34013-102	PLUG, PULLEY, AMAZON STONE	85.02
CWCPTN038-075	SCREW, SCKT LW HD, BLK SHP,3/8-16X3	86

CWTATN025-075	SCREW, BUTTON HEAD, SHARPERIZED BLK	87
CW34377-103	LABEL,SEAT ADJUSTMENT, VERTICAL	88
CWCPTN038-100	SCREW, SOCKET LOW HEAD, SHARPERIZED	89
CW34364-101	WLDMT, WATER BOTTLE HOLDER	90
CWWBCN038-007	WASHER, FLAT, TYPE A, 3/8 ID X 13/1	91
CWWALCN038-009	WASHER, SPLIT, 3/8 ID, CLR ZINC	92
CWWALYN038-009	WASHER, SPLIT, 3/8 ID, BLK XYLAN	93
CW35003-101	WLDMT, FLOATING PULLEY BRKT, SHORT	95
CWAC1009-101	PULLEY, 4 1/2 DIA X 1/2 ID	96
CWWBCN050-010	WASHER, FLAT, TYPE A, NARROW, 1/2 I	97
CWCPMN050-200	SCREW, SOCKET LOW HEAD, MECH CLR ZI	98
CWKACN050-031	LOCKNUT,HALF, 1/2-13, ZN	99
CW33997-108	4.5" PULLEY COVER, BRKT MOUNT, FRON	100
CW33997-111	4.5" PULLEY COVER, BRKT MOUNT, BACK	101
CW50249-101	ASSEMBLY, PIVOT FRAME, RIGHT	102
CWAECN031-003	E-RING, .31 DIA X .03 THICK, CLR ZN	103
CW33997-112	4.5" PULLEY COVER, TRUNCATED, BACK	104
CW33997-109	4.5" PULLEY COVER, TRUNCATED, FRONT	105
CW34252-101	PIN, CLEVIS W/ GROOVE,5/16 DIA	107
CWGR4606-000	GRIP, RUBBER, 1.00" OD HANDLE, 6.00	108
CW11095-107	CAP, PLASTIC, HEYCO, DOME PLUG, 0.3	109
CWMGCN016-050	SCREW, MCH, 8-32 X 1/2, PANHD, PHIL	111
CW34373-101	LABEL,CABLE BOLT WARNING STRENGTH,	115
CWTAKN038-275	SCREW,BTHD,3/8-16X2-3/4,BLK ZN	115
CW34073-102	PRECOR BADGE, BACK	116
CWTAKN038-150	SCREW,BTHD,3/8-16X1-1/2,BLK ZN	116
CW34074-101	REAR COVER SNAP	117
CW34295-101	ASSEMBLY, TOP PLATE, 170 LBS RECTAN	118
CW50267-101	KIT, WEIGHT STACK LABELS, 170 LB	119
CWCLPD138-250	ASSY, CABLE, WT STACK, LATERAL RAIS	122
CWCLNN078-000	ASSY, CABLE, LATERAL RAISE, FLOATIN	123
CW33999-101	6.68" MOLDED CAM	130
CW34341-101	BOTTOM, EDGE COVER, RAIL, LEFT, SIL	130.01
CW34341-103	BOTTOM, EDGE COVER, RAIL, LEFT, AMA	130.02
CW34899-101	ASSEMBLY, CAM STOP	131
CW34341-102	BOTTOM, EDGE COVER, RAIL, RIGHT, SI	131.01
CW34341-104	BOTTOM, EDGE COVER, RAIL, RIGHT, AM	131.02
CWCPTN031-075	SCREW, SOCKET LOW HEAD, BLACK SHARP	132
CW34788-101	LABEL PLACARD, WATER BOTTLE, WEIGHT	133
CW33752-102	FORMED PLATE, .19 THICK	140
CW33976-102	BAR, .75 DIA, SEAT ROLLER SHAFT	141
CW33755-102	BAR, .50 DIA., SEAT LATCH SHAFT	142
CW33757-101	WLDMT,LATCH,SEAT ADJUST	143
CWAECN050-004	E-RING,.50 DIA X .04 THICK, CLEAR Z	144
CW33756-101	BAR, .75 DIA.	145
CW33938-101	SPRING, TORSION, SEAT LATCH	146
CW33820-101	ROLLER, SEAT ADJUST	147
CW10221-104	BEARING, NEEDLE, .75 ID	148
CWWBCN038-007	WASHER, FLAT, TYPE A, 3/8 ID X 13/1	149
CWWALCN038-009	WASHER, SPLIT, 3/8 ID, CLR ZINC	150
CWCPMN038-075	SCREW, SCKT LW HD,MCH CLR ZI,3/8-16	151

CW33992-101	BALL, GAS SPRING	152
CWAECN075-005	E-RING,.75 DIA X .05 THICK, CLEAR Z	153
CW34063-101	SEAT ADJUST HANDLE, TOP	154
CWKACN031-016	LOCKNUT,HALF, 5/16-18,ZN	155
CW34063-102	SEAT ADJUST HANDLE BOTTOM	156
CWPMC016-050	SCREW, SELF TAPPING,#8 X 1/2 PHIL,	157
CW35978-101	DBL PULLY BRKT,FORMED PLATE,10GA(.1	160
CWAC1009-101	PULLEY, 4 1/2 DIA X 1/2 ID	161
CWHCCN050-200	SCREW, HEX HEAD,ZN, 1/2-13 X 2.0	162
CWKACN050-031	LOCKNUT,HALF, 1/2-13, ZN	163
CWWBCN050-010	WASHER, FLAT, TYPE A, NARROW, 1/2 I	164
CW35980-101	SPACER, ALU,.166 ID X .25 OD X .875	165
CWMGCN016-150	SCREW,MCH,8-32X1-1/2,PANHD,	166
CWWAMCN016-020	WASHER, LOCK, EXT TOOTH, #8	167
CW35085-101	LABEL, PIVOT POINT, C-LINE	170
CWGR4604-000	GRIP, RUBBER, 1.00" OD HANDLE, 4.00	181
CW50271-101	KIT, DROP DOWN WEIGHTS.	250
CW50288-101	KIT, POP PIN, DROP DOWN WEIGHT	256
CW35145-101	CUT PIECE CREPE, .06" THICK	257
CW11095-111	CAP, PLASTIC, HEYCO, PRY OUT PLUG,	265